

Attachment of Double TJI® Joists

TJI® floor or roof joists are occasionally doubled to carry other members or to support large loads from above. Although attachment of two such joists to each other is always permissible, it is not usually necessary. Normal floor or roof sheathing provides sufficient attachment in most cases. Double TJI® joists need not be attached together except as indicated below.

DOUBLE TJI JOISTS SHOULD BE ATTACHED TO EACH OTHER:

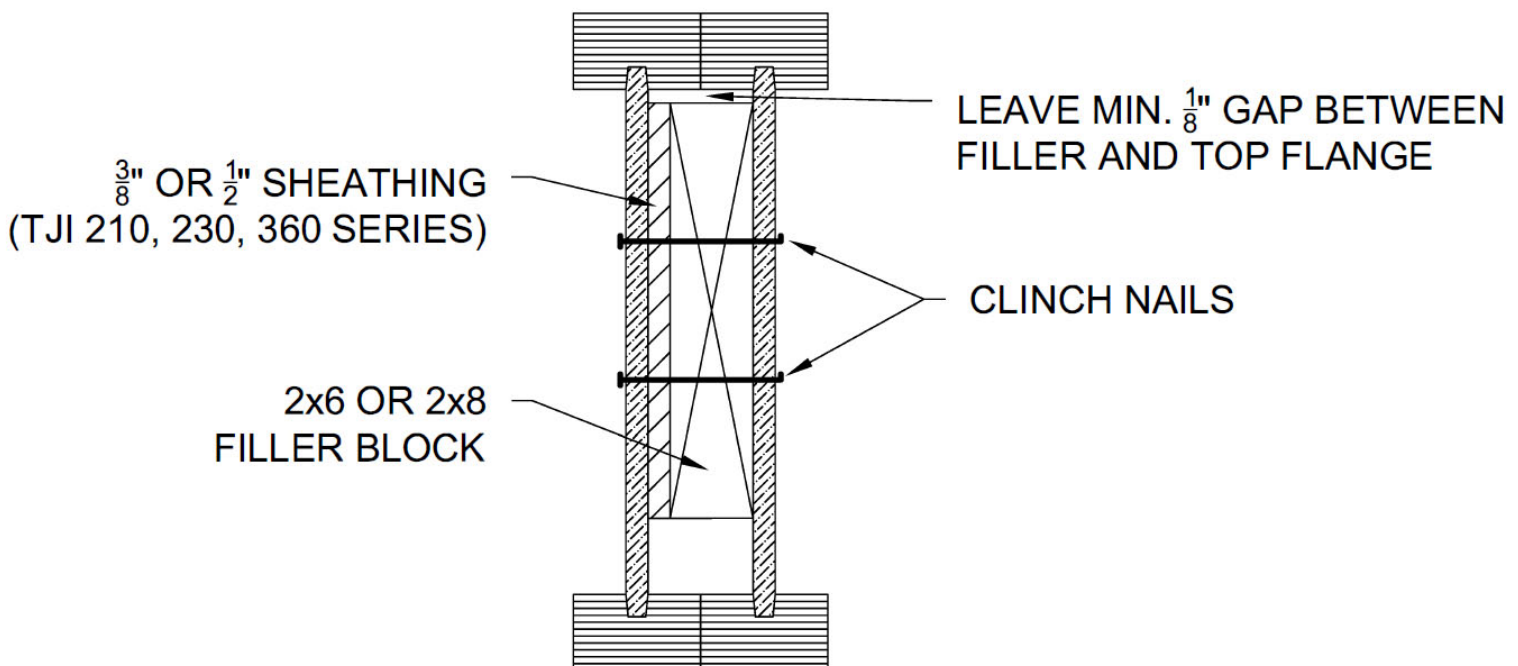
- If **both** TJI® joists are **not** attached at the top to continuous sheathing, attachment is required and should be for the full length of the joist, but the filler need not be a single continuous piece.
- At the location of a hanger when another member is hung from one of the two TJI® joists, attachment is required and a 24" filled attachment length is recommended (see detail H2 in TJ-4000).
- At bearing locations or under point loads, a 12" attachment is recommended.

WHERE ATTACHED FOR THE ABOVE CONDITIONS:

The gap between the webs of the joists must be completely filled with lumber or sheathing, and attached with 2 rows of clinched 10d⁽¹⁾ box nails at 3" on-center nailed through the web only. **Do not nail into the flanges.**

TJI®	110		210		230 or 360		560	
Depth	9½" or 11⅞"	14"	9½" or 11⅞"	14" or 16"	9½" or 11⅞"	14" or 16"	11⅞"	14" or 16"
Filler Block (Detail H2)	2x6	2x8	2x6 + ⅜" sheathing	2x8 + ⅜" sheathing	2x6 + ½" sheathing	2x8 + ½" sheathing	Two 2x6	Two 2x8

(1) Use two rows of 16d box nails at 3" on-center from each side through the web with TJI® 560 joists.



For further information, contact your local Trus Joist representative.