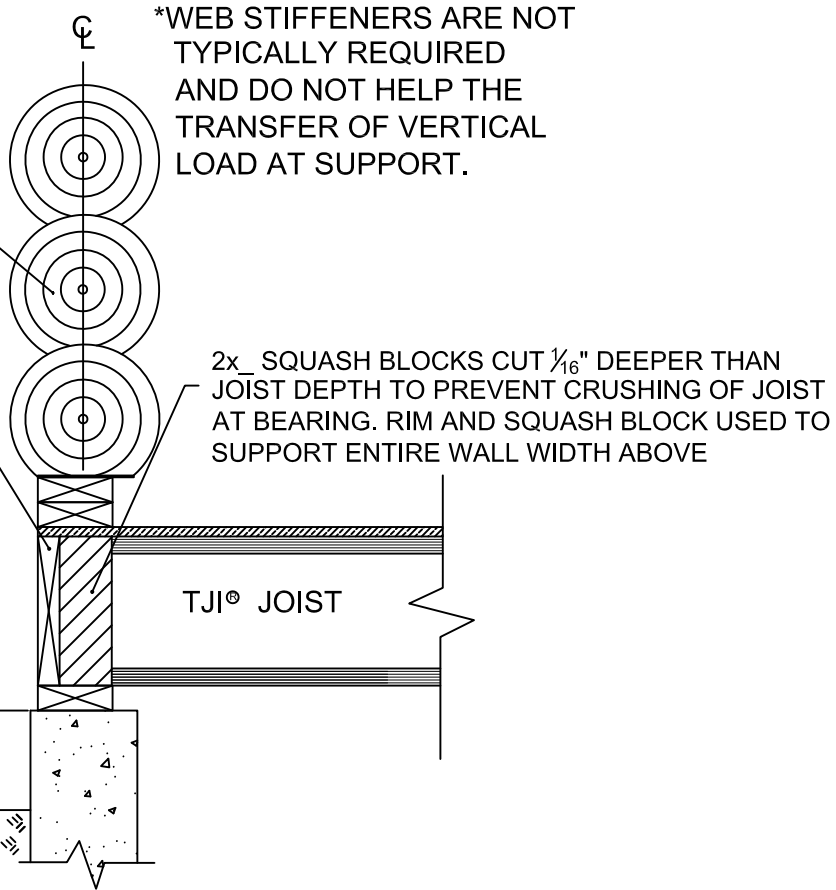
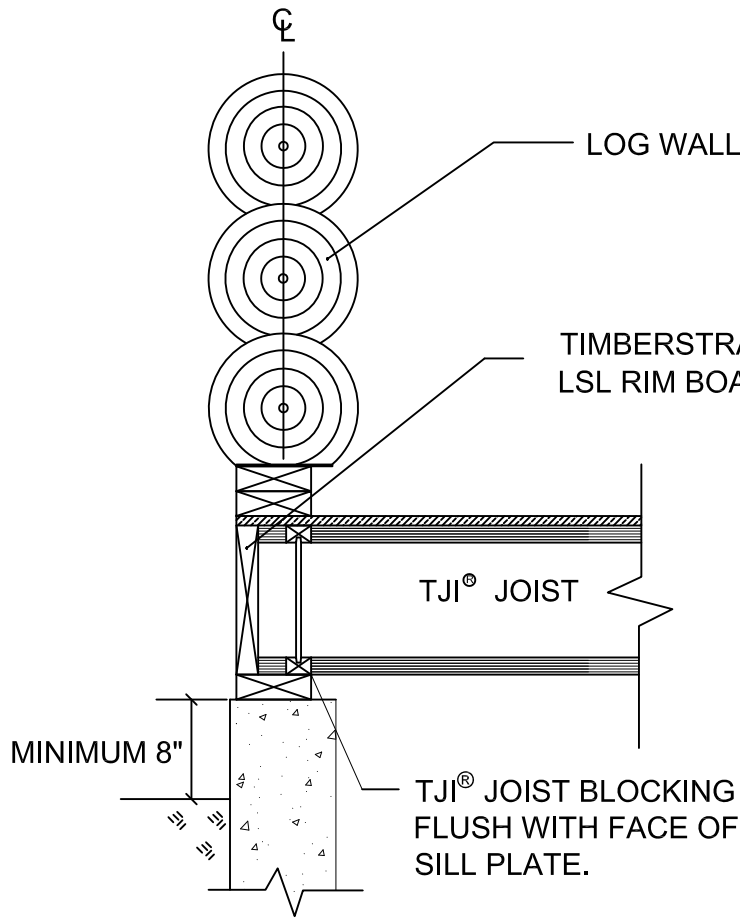


TJI® BLOCKING PANELS

SQUASH BLOCKING



*WEB STIFFENERS ARE NOT TYPICALLY REQUIRED AND DO NOT HELP THE TRANSFER OF VERTICAL LOAD AT SUPPORT.

VERTICAL LOAD CAPACITY:

- 1-1/4" 1.3E TIMBERSTRAND® LSL = 5,000 PLF (≤ 16")
- 1-3/4" 1.3E TIMBERSTRAND® LSL = 7,560 PLF (≤ 20")
- TJI® JOIST BLOCKING = 2,100 PLF (≤ 16")
- TJI® JOIST BLOCKING = 1,550 PLF (≤ 20")
- SQUASH BLOCKS = 4,050 LBS PER PAIR

NOTE: WHEN THE CENTER LINE OF A LOG WALL EXTENDS BEYOND THE 2x4 OR 2x6 PLATE BELOW, ADDITIONAL BLOCKING IS RECOMMENDED TO HELP TRANSFER VERTICAL LOAD AND PREVENTS POTENTIAL CRUSHING OF THE JOIST. THE CENTER LINE MAY NOT EXTEND PAST THE INSIDE FACE OF ADDED MATERIAL.

* FOR PARALLEL SIDES, RUN A SECOND RIM BOARD ON THE INSIDE EDGE OF SILL PLATE.



Weyerhaeuser prepared this drawing for the specification of Trus Joist products based on project information provided to us. This service is solely intended for product application assurance, and is not intended to document the need for a design professional as determined by the building codes. The designer of record and/or builder/framer is responsible to assure these drawings are compatible with the cover all project.
Copyright 2008 Weyerhaeuser NR Company. All rights reserved. Any unauthorized copying or reproduction will constitute an infringement of copyright.

RECOMMENDED SUPPORT FOR LOG WALL

EXPIRATION DATE: JANUARY 2027

Trus Joist Product Technical Support
 Phone: (888) 453-8358
 Email: TechSupport@wy.com

PROJECT #:	
SERVICE #:	
SHEET:	NW-D206