

Weyerhaeuser prepared this drawing for the specification of Trus Joist products based on project information provided to us. This service is solely intended for product application assurance, and is not intended to document the need for a design professional as determined by the building codes. The designer of record and/or builder/framer is responsible to assure these drawings are compliant with the over all project.

Copyright 2019 Weyerhaeuser NR Company. All rights reserved. Any unauthorized copying or reproduction will constitute an infringement of copyright.

TIMBERSTRAND® LSL LEDGER ON CONCRETE

EXPIRATION DATE: JANUARY 2025

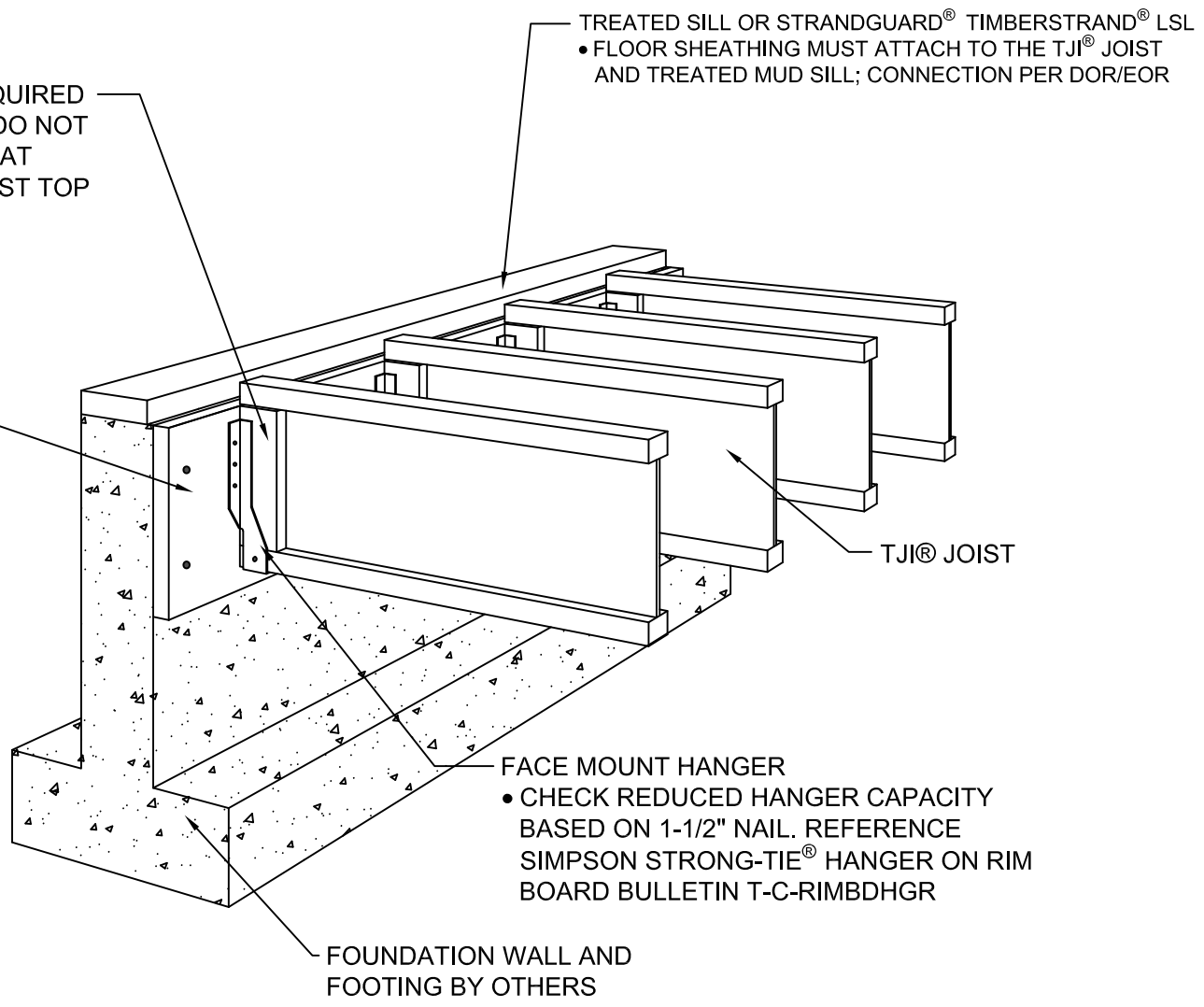
--	--	--	--	--	--	--	--	--	--

PROJECT #:

SERVICE #:

SHEET:

NW-D207



WEB STIFFENERS REQUIRED IF SIDES OF HANGER DO NOT Laterally Support at Least 3/8" OF TJI® JOIST TOP FLANGE

TREATED SILL OR STRANDGUARD® TIMBERSTRAND® LSL
 • FLOOR SHEATHING MUST ATTACH TO THE TJI® JOIST AND TREATED MUD SILL; CONNECTION PER DOR/EOR

LEDGER: USE MINIMUM 1-1/4" 1.3E TIMBERSTRAND® LSL RIM BOARD WITH VAPOR BARRIER OR EQUIVALENT
 • LEDGER CONNECTION SPECIFIED PER DOR/EOR

FACE MOUNT HANGER
 • CHECK REDUCED HANGER CAPACITY BASED ON 1-1/2" NAIL. REFERENCE SIMPSON STRONG-TIE® HANGER ON RIM BOARD BULLETIN T-C-RIMBDHGR

FOUNDATION WALL AND FOOTING BY OTHERS