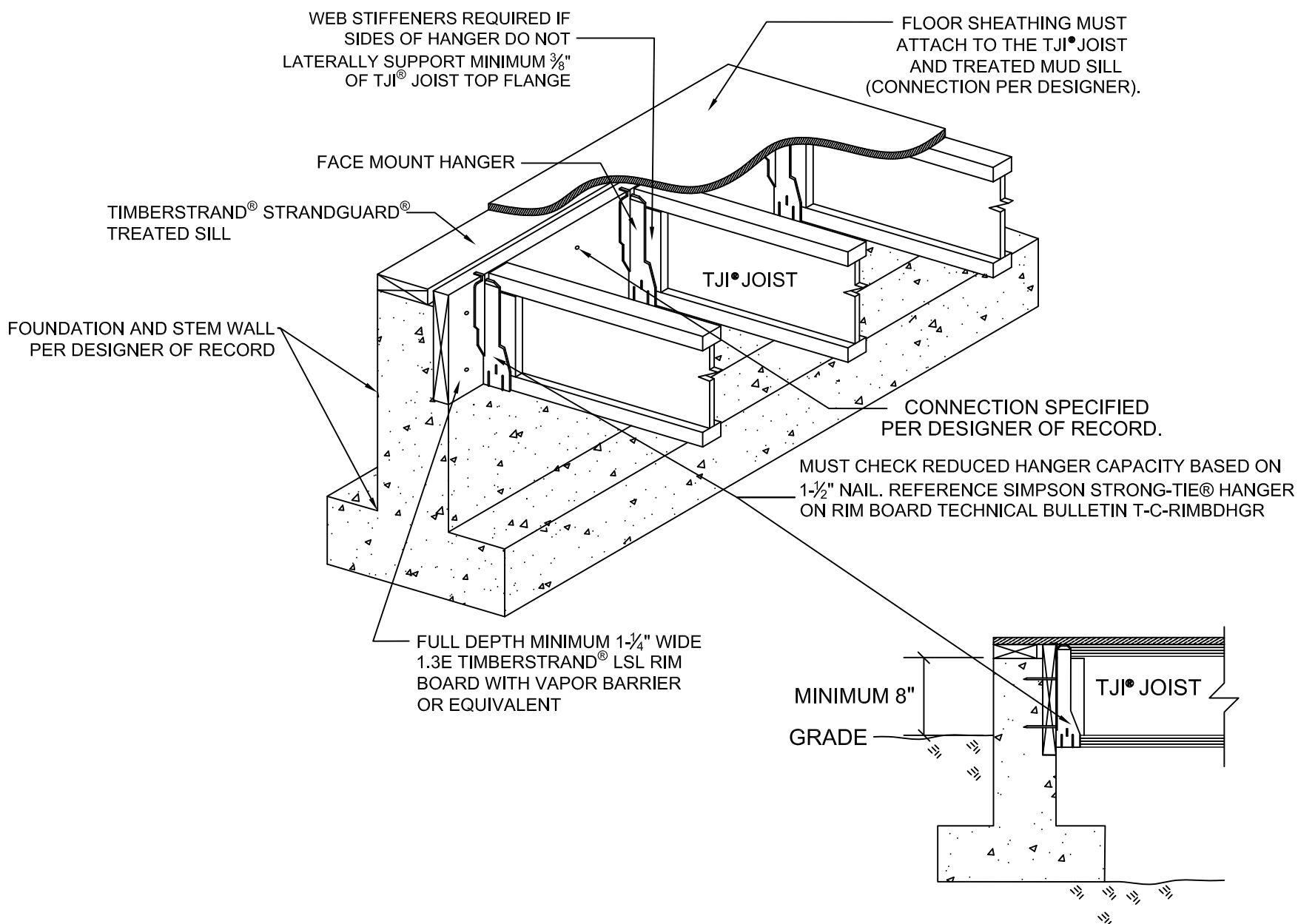


Weyerhaeuser prepared this drawing for the specification of Trus Joist products based on project information provided to us. This service is solely intended for product application assurance and is not intended to document the need for a design professional as determined by the building codes. The designer of record and/or builder/framer is responsible to assure these drawings are compliant with the code for all projects.

Copyright 2019 Weyerhaeuser NR Company. All rights reserved. Any unauthorized copying or reproduction will constitute an infringement of copyright.



TIMBERSTRAND[®] LSL ON
CONCRETE CORBEL

EXPIRATION DATE:
JANUARY 2027

PROJECT #:
SERVICE #:
SHEET:

NW-D208