

Weyerhaeuser prepared this drawing for the specification of Trus Joist products based on project information provided to us. This service is solely intended for product application assurance, and is not intended to document the need for a design professional as determined by the building codes. The designer of record and/or builder/framer is responsible to assure these drawings are compliant with the over all project.

Copyright 2019 Weyerhaeuser NR Company. All rights reserved. Any unauthorized copying or reproduction will constitute an infringement of copyright.

POST REPAIR FOR DAMAGED TJI® IN CRAWL SPACE

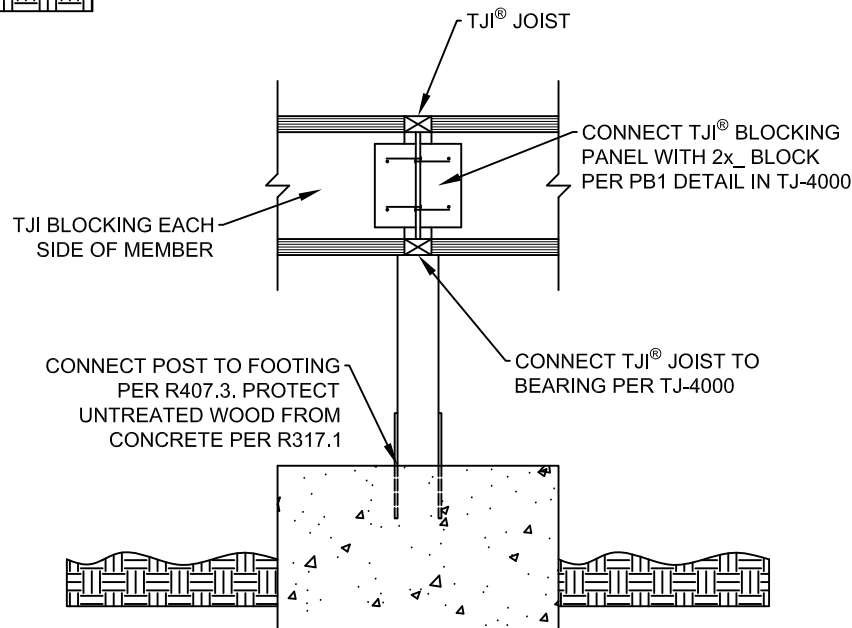
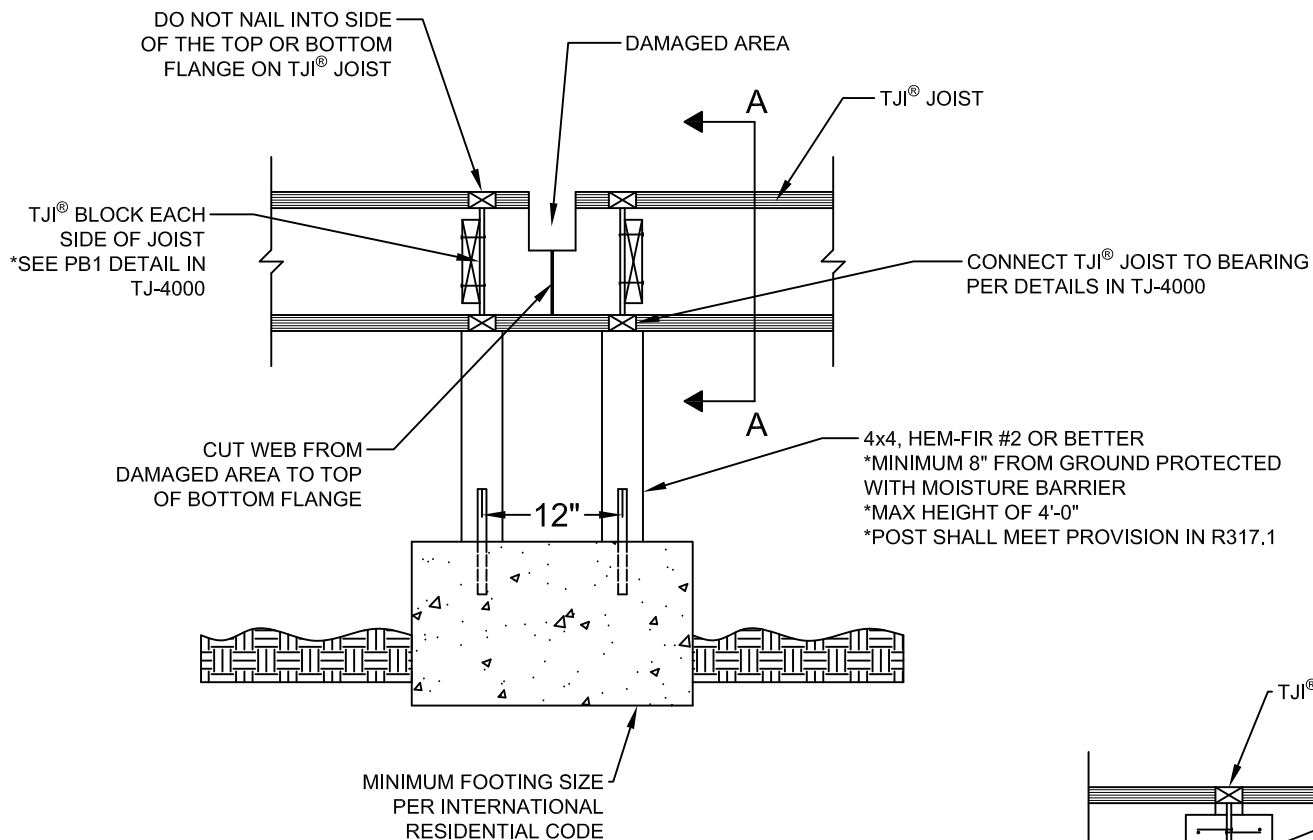
EXPIRATION DATE: JANUARY 2025

PROJECT #:

SERVICE #:

SHEET:

NW-D212



SECTION A-A

**NOTES:**

- THIS DETAIL IS NOT ALLOWED FOR TJI® JOISTS USED AS COLLECTOR/DRAW TIE ELEMENTS. CONSULT WITH PROJECT ENGINEER OF RECORD FOR DAMAGE ON LATERAL COLLECTORS.
- ALTERING SPANS WILL CREATE LOCALIZED STIFFER AREAS IN FLOOR THAT MAY CHANGE FLOOR PERFORMANCE.
- THE PROJECT DESIGN AUTHORITY SHALL VERIFY THAT SOIL CONDITIONS WILL SUPPORT THIS POST DOWN DETAIL.
- CONTACT TRUS JOIST PRODUCT SUPPORT FOR POSSIBLE ALTERNATIVE REPAIR OPTIONS.

**Trus Joist Product Technical Support**

Phone: (888) 453-8358

Email: TechSupport@wy.com