



Weyerhaeuser prepared this drawing for the specification of Trus Joist products based on project information provided to us. This service is solely intended for product application assurance, and is not intended to document the need for a design professional as determined by the building codes. The designer of record and/or builder/framer is responsible to assure these drawings are compatible with the cover all project.  
 Copyright 2019 Weyerhaeuser NR Company. All rights reserved. Any unauthorized copying or reproduction will constitute an infringement of copyright.

HANGING SOFFIT MATERIAL FROM TJI® JOISTS

EXPIRATION DATE: JANUARY 2025

--	--	--	--	--	--	--	--	--	--

PROJECT #:

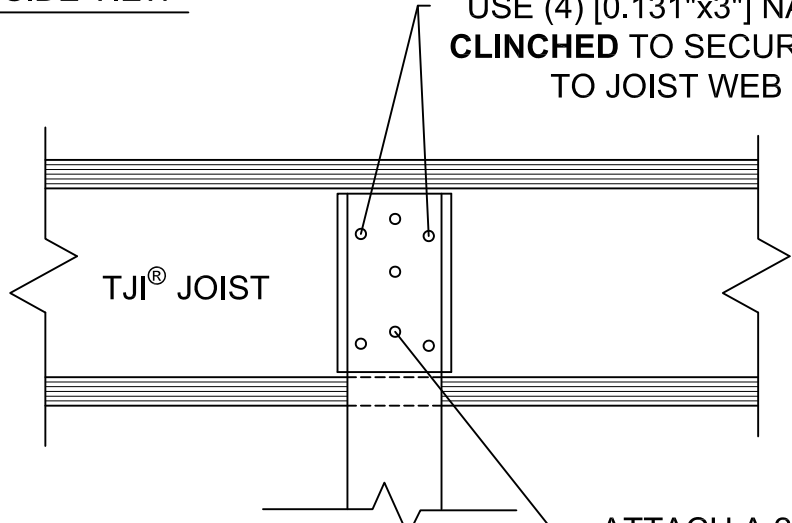
SERVICE #:

SHEET:

NW-D213

2x6 TIMBERSTRAND® LSL OR EQUIVALENT BLOCK WITH GRAIN ORIENTED VERTICALLY AND A MINIMUM 1/8" GAP BETWEEN BLOCK AND TOP & BOTTOM FLANGE.

SIDE VIEW



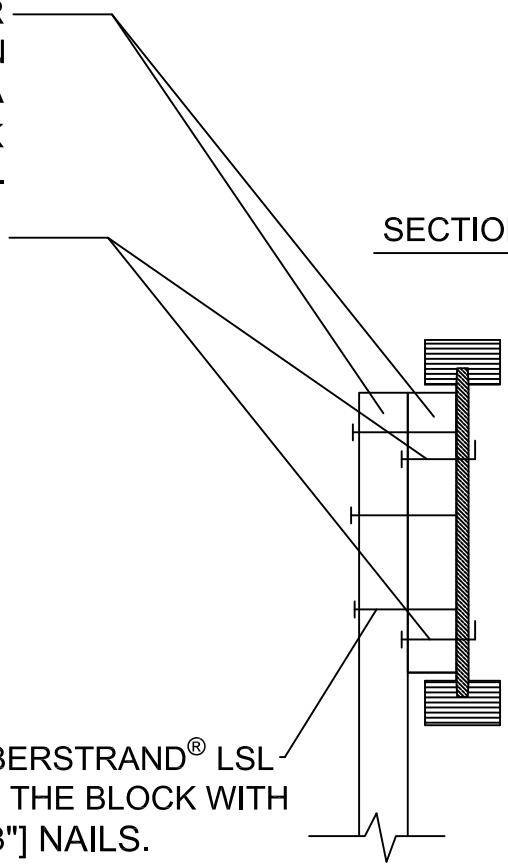
MAX. 250lbs

USE (4) [0.131"x3"] NAILS, CLINCHED TO SECURE 2x4 TO JOIST WEB

ATTACH A 2x4 TIMBERSTRAND® LSL OR EQUIVALENT TO THE BLOCK WITH (3) [0.131"x3"] NAILS.

NOTE: RECOMMEND ROWS TO BE 3/4" APART, 2" SPACING BETWEEN ROWS.

SECTION VIEW



**NOTE:**

- THIS CONNECTION ALLOWS A MAXIMUM OF 250lbs OF DOWNWARD FORCE.
- MAXIMUM VERTICAL LOAD FOR ALL 9-1/2" DEEP JOISTS IS 200 lbs.
- THIS CONNECTION MUST BE LOCATED A MINIMUM OF 30" FROM NEAREST SIMILAR ATTACHMENT.
- JOIST MUST BE DESIGNED WITH THE ADDITIONAL POINT LOAD(S) APPLIED.